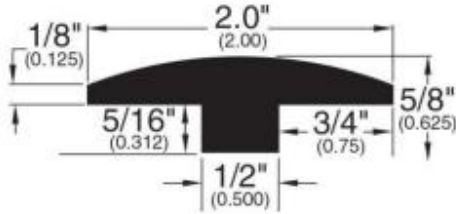
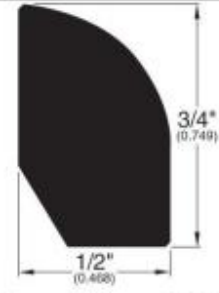


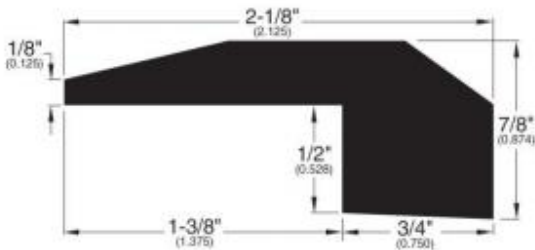
Quarter Round (001)



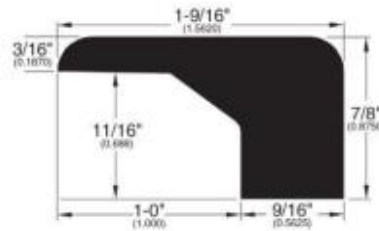
T-Mold (002)



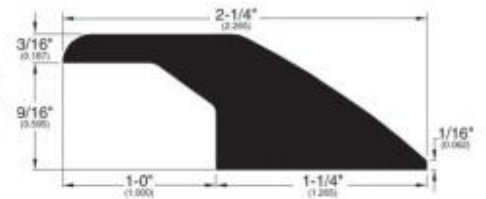
Base Shoe (024)



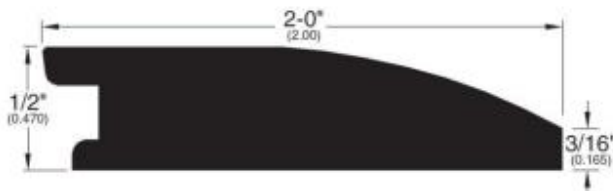
Threshold (011)



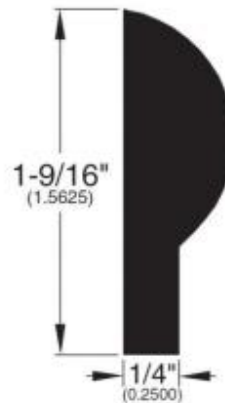
Square Nose (027)



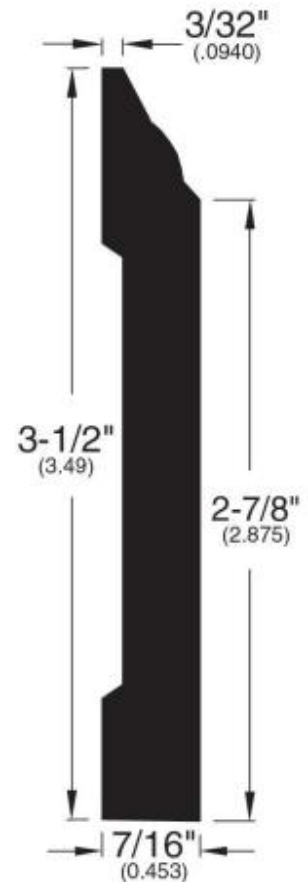
Reducer Overlap (035)



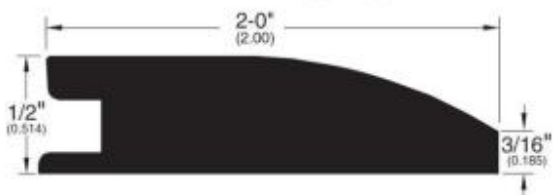
Reducer (010)



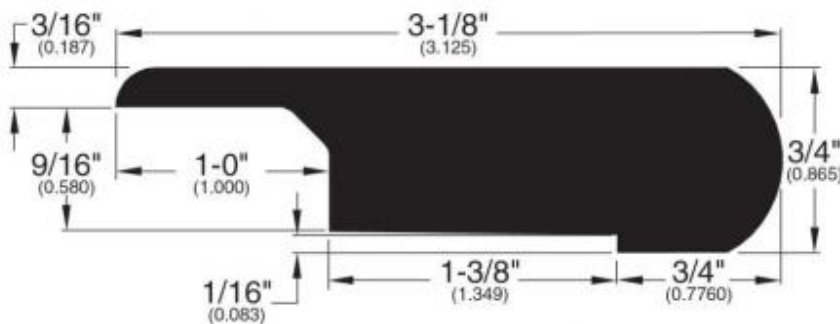
Stair Nose Adjustable (058)



Wall Base (003)



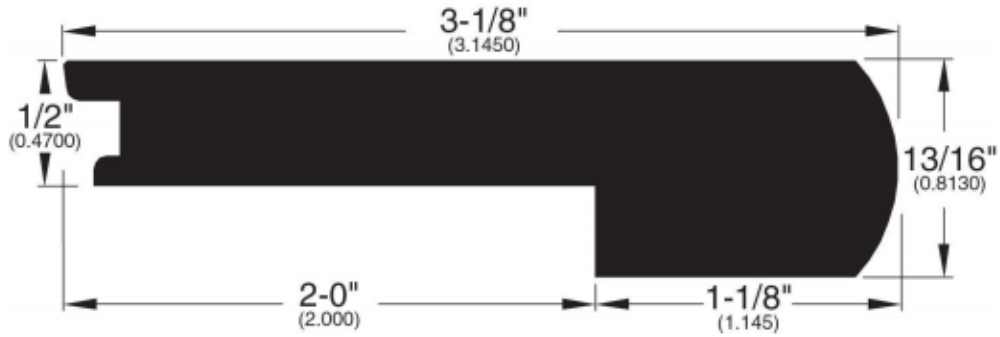
Reducer (090)



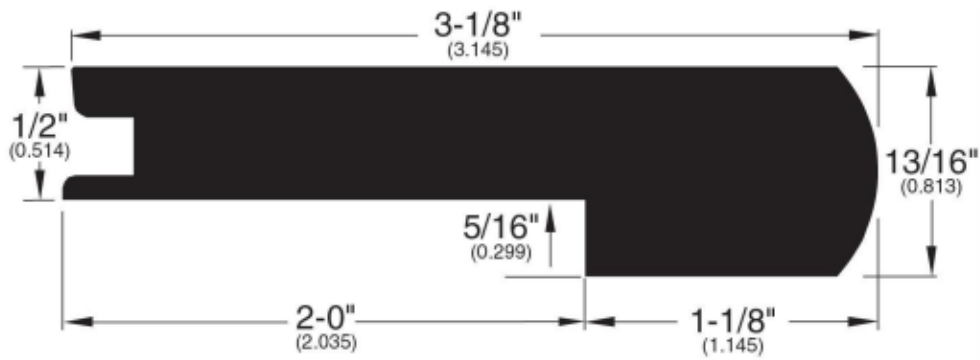
Stair Nose Overlap (036)



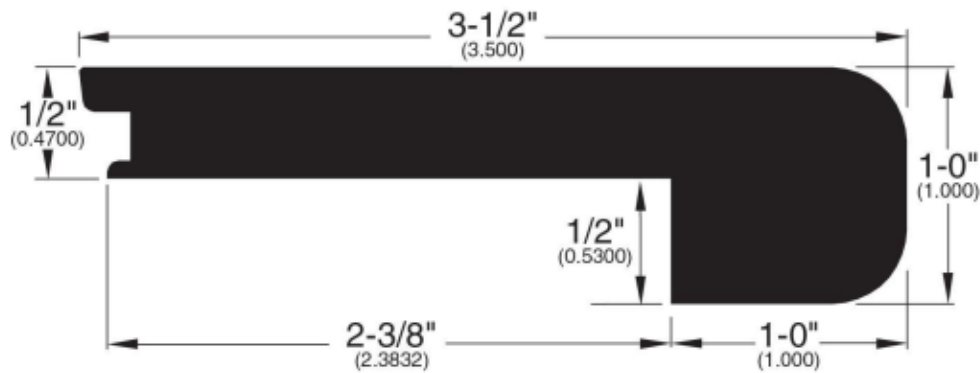
# MONTAUK WORTHINGTON 1/2" FLOORING PROFILES



Stair Nose (012)



Stair Nose (091)



Stair Nose (219)